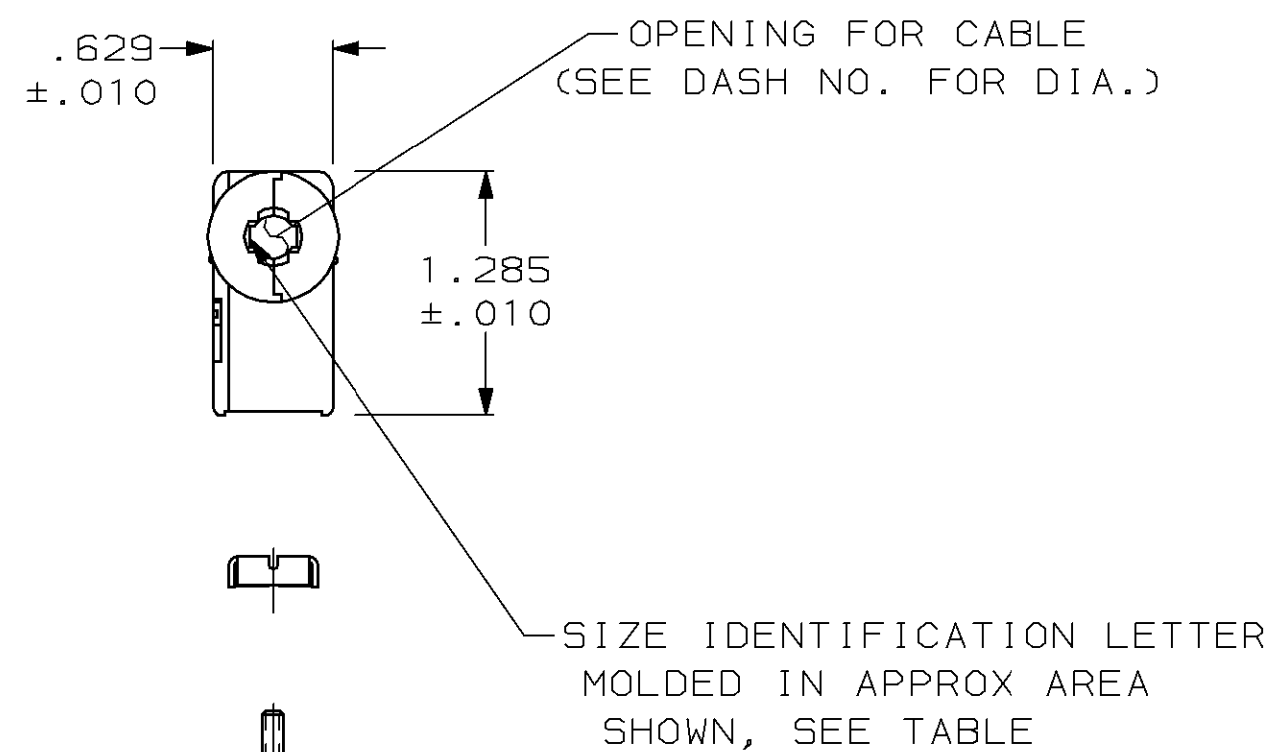
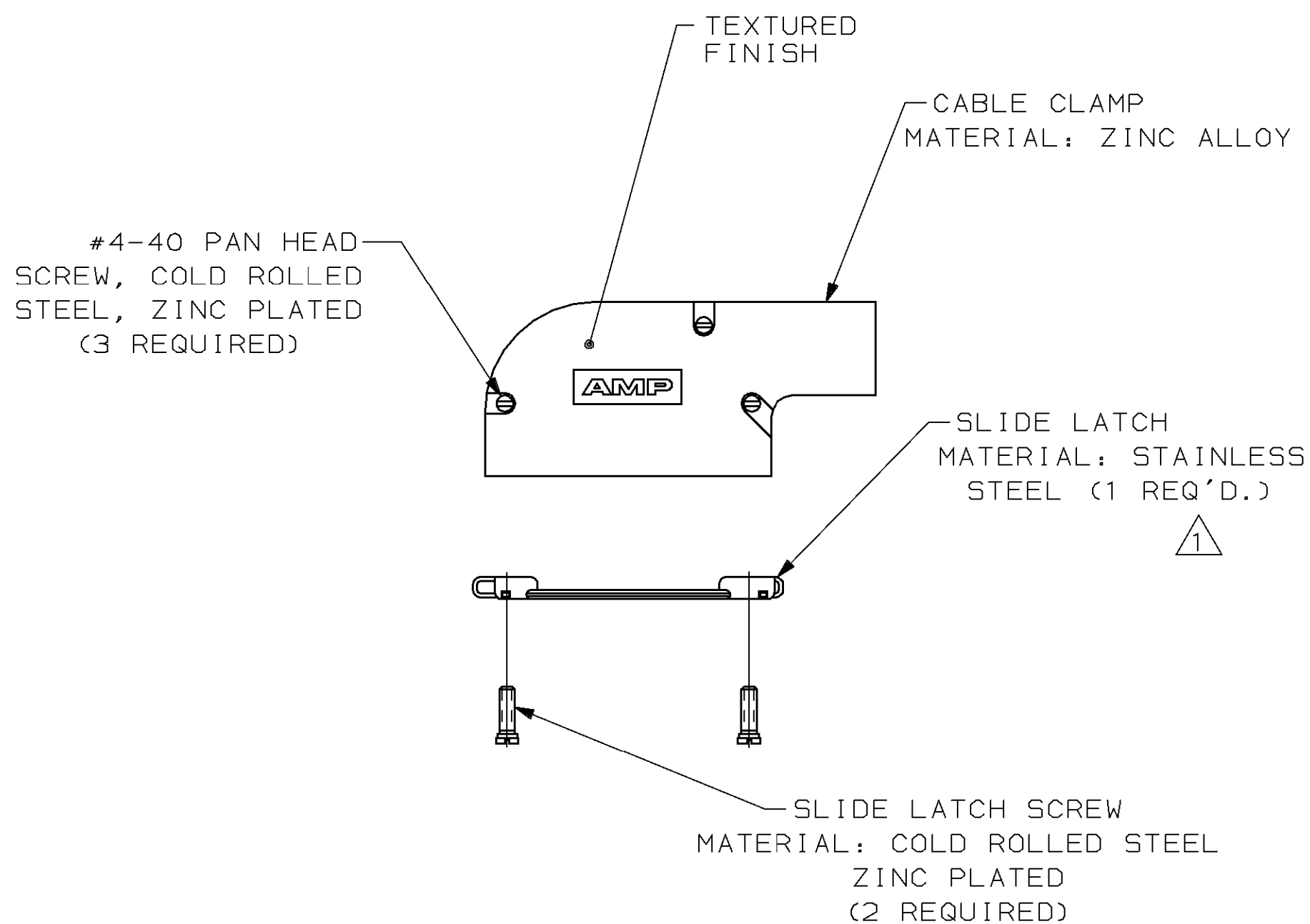
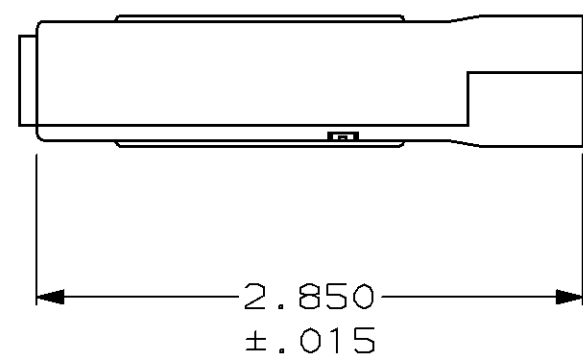


| LOC | DIST | P | F | ZONE | LTR | DESCRIPTION | DATE | APPD |
|-----|------|---|---|------|-----|------------------------|-----------|------|
| BD | 48 | | | | C | REDRAWN | 7/9/90 | - |
| | | | | | D | REV PER EC 0020-881-95 | 25 AUG 95 | JS |



| | | | |
|------------|---------------------------|-----------|----------|
| D | PLATED NICKEL OVER COPPER | .280 | 745653-5 |
| G | | .355 | 745653-4 |
| K | | .430 | 745653-3 |
| M | | .480 | 745653-2 |
| P | | .530 | 745653-1 |
| NECK IDENT | REMARKS | CABLE DIA | PART NO. |

1 KIT INCLUDES SLIDE LATCH & SCREWS.

2. ALL PARTS PACKAGED UNASSEMBLED.

| | | | |
|---|-----------------------------|---|---------|
| DO NOT SCALE PRINT. UNLESS SPECIFIED DIMENSIONS IN INCHES TOLERANCES ON : | DR 7/9/90 A. STAUB BG | AMP INCORPORATED Harrisburg, Pa. 17105 | |
| 2 PLC DEC ± - | CHK 9-10-90 J. McCLINTON | | |
| 3 PLC DEC ± .005 | APPD 9-11-90 B. TAYLOR | NAME | |
| ANGLES ± - | APPD 9-11-90 J. ASSINI | CABLE CLAMP KIT, SIZE 3, 25 POSITION, 90°, AMPLIMITE™ SERIES | |
| MATERIAL | PRODUCT SPEC | SIZE | FSCM NO |
| SEE CALLOUTS | - | C | 00779 |
| FINISH | APPLICATION SPEC | DRAWING NO | 745653 |
| SEE CALLOUTS | - | SCALE | 1:1 |
| WEIGHT | - | SHEET | 1 OF 1 |